

# EMC shield clamps, single

for direct mounting via rivets



EMC shield clamps are used, where the shield of cables must be connected to the earth potential. They are easy to use and effective in earthing single cable shields.

The EMC cable clamps offer a large contact area to the cable shield. In comparison to conventional shielding brackets an up to 50% higher contact area can be achieved when using icotek EMC shield clamps. The specified clamping range can be exceeded up to 10%.

Due to its special design the clamping ranges of the MSKL are very large while the dimensions are comparatively small. (Example: MSKL 3-12, assembled with a 12 mm cable shield: width 26.25 mm).

The shield clamps can be easily attached via rivet.

## Specifications

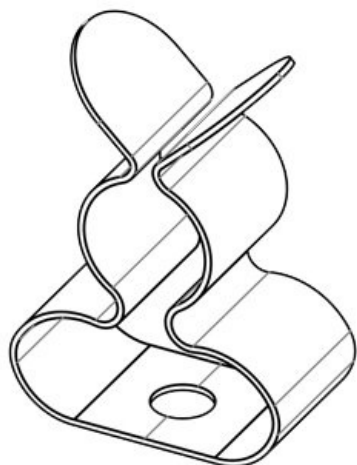
<b>Material</b>	Shield clamp: Spring steel, zinc plated
<b>Properties</b>	vibration proof
<b>Mounting options</b>	Riveting

## Advantages & benefits

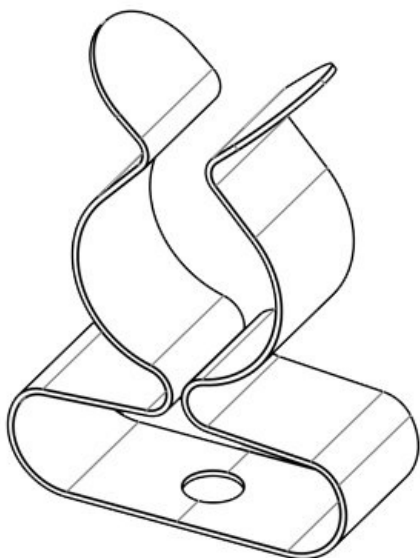
- Large contact area
- Shield contact and strain relief separated
- The spring design requires no adjustments and will permanently maintain contact to the cable shield
- Space-saving design, even when fully assembled
- MSKL: Large clamping areas, therefore less product sizes needed to cover a large cable diameter range
- Shock and vibration resistant, maintenance free

## Product types & sizes

MSKL 3-12

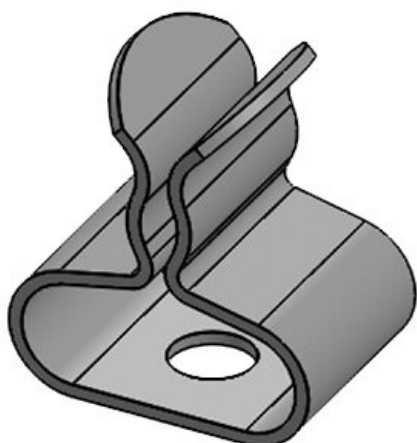


Part No.	<b>37600</b>	Length	<b>8 mm</b>
EAN	<b>4251269316</b>	Width	<b>15 mm</b>
	<b>876</b>	Height	<b>20,5 mm</b>
Package quantity	<b>50</b>		
No. of shield clamps	<b>1</b>		
For max. no. of cables	<b>1</b>		
Min. shield diam.	<b>3 mm</b>		
Max. shield diam.	<b>12 mm</b>		



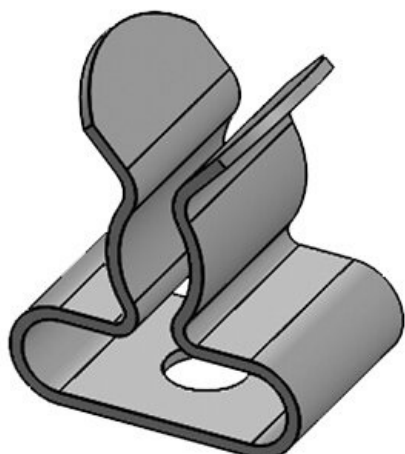
Part No.	<b>37602</b>	Length	<b>8 mm</b>
EAN	<b>4251269316</b>	Width	<b>20 mm</b>
	<b>883</b>	Height	<b>27 mm</b>
Package quantity	<b>50</b>		
No. of shield clamps	<b>1</b>		
For max. no. of cables	<b>1</b>		
Min. shield diam.	<b>8 mm</b>		
Max. shield diam.	<b>18 mm</b>		

## SKL 1.5-3



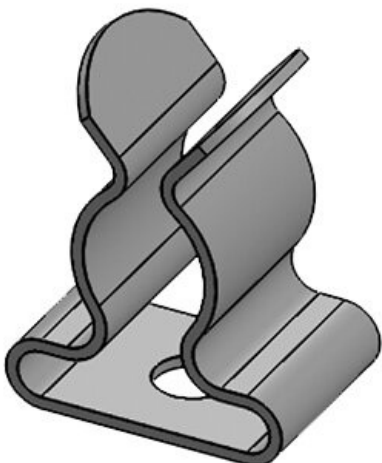
Part No.	<b>36200</b>	Length	<b>8 mm</b>
EAN	<b>4251269302</b>	Width	<b>11,8 mm</b>
	<b>091</b>	Height	<b>13 mm</b>
Package quantity	<b>50</b>	No. of screw holes	<b>1</b>
No. of shield clamps	<b>1</b>	Diam. of screw holes	<b>3,2 mm</b>
For max. no. of cables	<b>1</b>		
Min. shield diam.	<b>1,5 mm</b>		
Max. shield diam.	<b>3 mm</b>		

## SKL 3-6



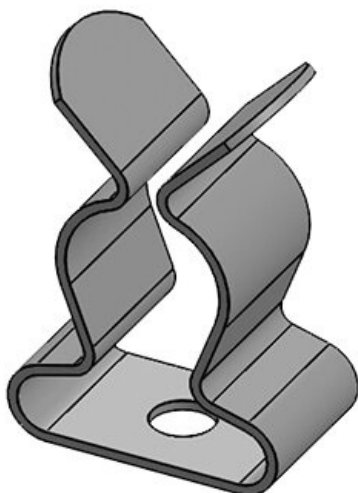
Part No.	<b>36202</b>	Length	<b>8 mm</b>
EAN	<b>4251269302</b>	Width	<b>11,8 mm</b>
	<b>107</b>	Height	<b>13,6 mm</b>
Package quantity	<b>50</b>	No. of screw holes	<b>1</b>
No. of shield clamps	<b>1</b>	Diam. of screw holes	<b>3,2 mm</b>
For max. no. of cables	<b>1</b>		
Min. shield diam.	<b>3 mm</b>		
Max. shield diam.	<b>6 mm</b>		

SKL 6-8



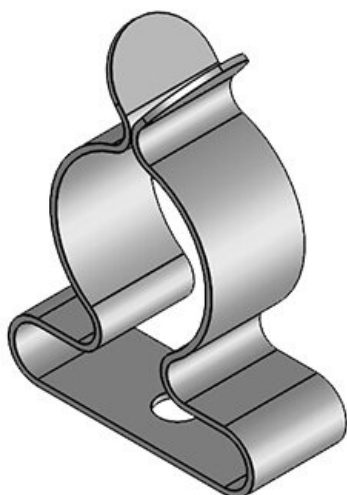
Part No.	<b>36204</b>	Length	<b>8 mm</b>
EAN	<b>4251269302</b>	Width	<b>11,8 mm</b>
	<b>114</b>	Height	<b>15 mm</b>
Package quantity	<b>50</b>	No. of screw holes	<b>1</b>
No. of shield clamps	<b>1</b>	Diam. of screw holes	<b>3,2 mm</b>
For max. no. of cables			
Min. shield diam.	<b>6 mm</b>		
Max. shield diam.	<b>8 mm</b>		

SKL 8-11



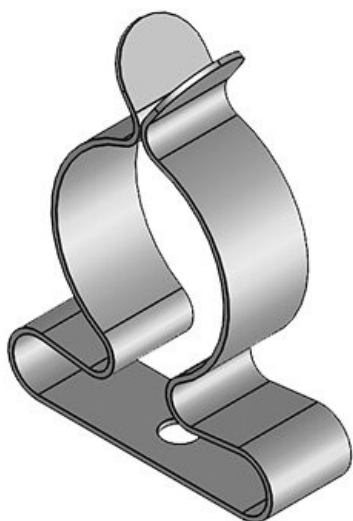
Part No.	<b>36205</b>	Length	<b>8 mm</b>
EAN	<b>4251269302</b>	Width	<b>14 mm</b>
	<b>121</b>	Height	<b>20 mm</b>
Package quantity	<b>50</b>	No. of screw holes	<b>1</b>
No. of shield clamps	<b>1</b>	Diam. of screw holes	<b>3,2 mm</b>
For max. no. of cables			
Min. shield diam.	<b>8 mm</b>		
Max. shield diam.	<b>11 mm</b>		

SKL 11-17



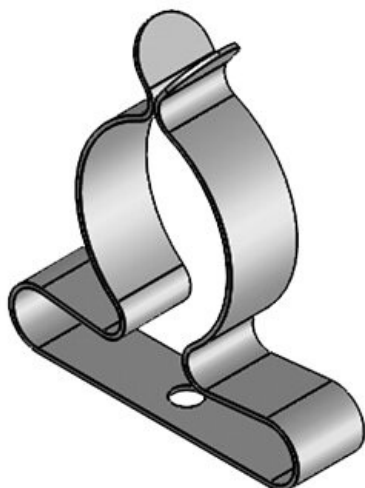
Part No.	<b>36206</b>	Length	<b>8 mm</b>
EAN	<b>4251269302</b>	Width	<b>21 mm</b>
	<b>138</b>	Height	<b>27 mm</b>
Package quantity	<b>50</b>	No. of screw holes	<b>1</b>
No. of shield clamps	<b>1</b>	Diam. of screw holes	<b>3,2 mm</b>
For max. no. of cables			
Min. shield diam.	<b>11 mm</b>		
Max. shield diam.	<b>17 mm</b>		

SKL 17-22



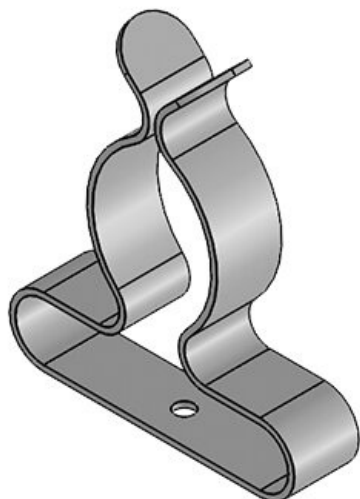
Part No.	<b>36207</b>	Length	<b>8 mm</b>
EAN	<b>4251269302</b>	Width	<b>26,5 mm</b>
	<b>145</b>	Height	<b>34,5 mm</b>
Package quantity	<b>50</b>	No. of screw holes	<b>1</b>
No. of shield clamps	<b>1</b>	Diam. of screw holes	<b>3,2 mm</b>
For max. no. of cables			
Min. shield diam.	<b>17 mm</b>		
Max. shield diam.	<b>22 mm</b>		

SKL 22-30



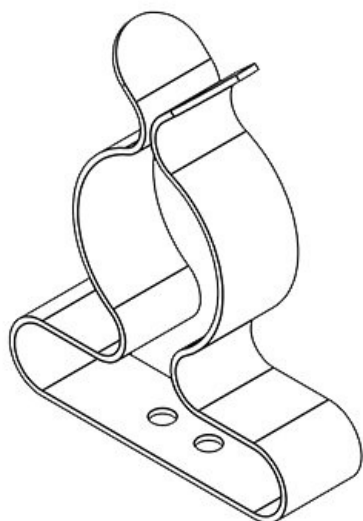
Part No.	<b>36208</b>	Length	<b>8 mm</b>
EAN	<b>4251269302</b>	Width	<b>35 mm</b>
	<b>152</b>	Height	<b>39,2 mm</b>
Package quantity	<b>50</b>	No. of screw holes	<b>1</b>
No. of shield clamps	<b>1</b>	Diam. of screw holes	<b>3,2 mm</b>
For max. no. of cables			
Min. shield diam.	<b>22 mm</b>		
Max. shield diam.	<b>30 mm</b>		

SKL 30-38



Part No.	<b>36209</b>	Length	<b>13 mm</b>
EAN	<b>4251269302</b>	Width	<b>46,5 mm</b>
	<b>169</b>	Height	<b>62,5 mm</b>
Package quantity	<b>5</b>	No. of screw holes	<b>1</b>
No. of shield clamps	<b>1</b>	Diam. of screw holes	<b>5,2 mm</b>
For max. no. of cables			
Min. shield diam.	<b>30 mm</b>		
Max. shield diam.	<b>38 mm</b>		

SKL 38-48



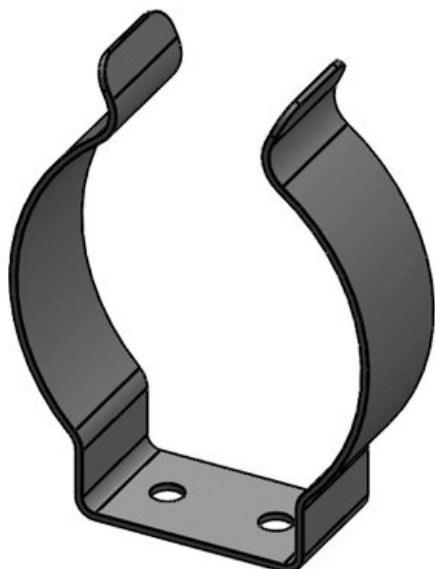
Part No.	<b>36213</b>	Length	<b>13 mm</b>
EAN	<b>4251269302</b>	Width	<b>48,5 mm</b>
	<b>176</b>	Height	<b>71,5 mm</b>
Package quantity	<b>5</b>	No. of screw holes	<b>2</b>
No. of shield clamps	<b>1</b>	Diam. of screw holes	<b>5,2 mm</b>
For max. no. of cables			
Min. shield diam.	<b>38 mm</b>		
Max. shield diam.	<b>48 mm</b>		

SKL 44-56



Part No.	<b>36216</b>	Length	<b>13 mm</b>
EAN	<b>4251269322</b>	Width	<b>47 mm</b>
	<b>754</b>	Height	<b>60,5 mm</b>
Package quantity	<b>5</b>	No. of screw holes	<b>2</b>
No. of shield clamps	<b>1</b>	Diam. of screw holes	<b>3,7 mm</b>
For max. no. of cables			
Min. shield diam.	<b>44 mm</b>		
Max. shield diam.	<b>56 mm</b>		

SKL 56-68



Part No.	<b>36217</b>	Length	<b>19 mm</b>
EAN	<b>4251269322</b>	Width	<b>55 mm</b>
	<b>761</b>	Height	<b>72,5 mm</b>
Package quantity	<b>5</b>	No. of screw holes	<b>2</b>
No. of shield clamps	<b>1</b>	Diam. of screw holes	<b>4,8 mm</b>
For max. no. of cables			
Min. shield diam.	<b>56 mm</b>		
Max. shield diam.	<b>68 mm</b>		



Part No.	<b>36218</b>	Length	<b>19 mm</b>
EAN	<b>4251269322</b>	Width	<b>69,5 mm</b>
	<b>778</b>	Height	<b>91 mm</b>
Package quantity	<b>5</b>	No. of screw holes	<b>2</b>
No. of shield clamps	<b>1</b>	Diam. of screw holes	<b>4,9 mm</b>
For max. no. of cables			
Min. shield diam.	<b>68 mm</b>		
Max. shield diam.	<b>75 mm</b>		